

# MODULAR NEEDLE NOZZLE

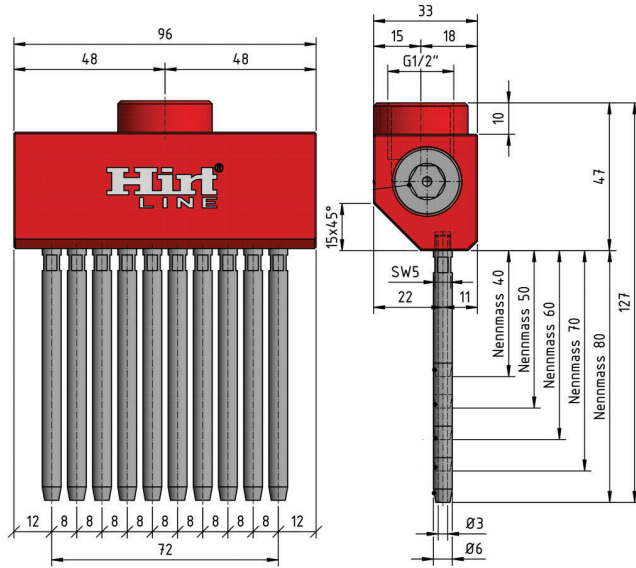
## HIRT-LINE



The expandable and individual configurable Hirt-Line needle nozzles!

**Hirt**<sup>®</sup>  
LINE

# NEEDLE NOZZLE 96mm



Part-No.: 2-NA-DU-96

Needle Nozzle for Hirt-Line Type2  
 Width 96 mm Base body  
 Nozzle openings Ø3,0mm  
 Connection 1/2" female thread  
 Material 1.4305 V2A / aluminium  
 Weight 357g

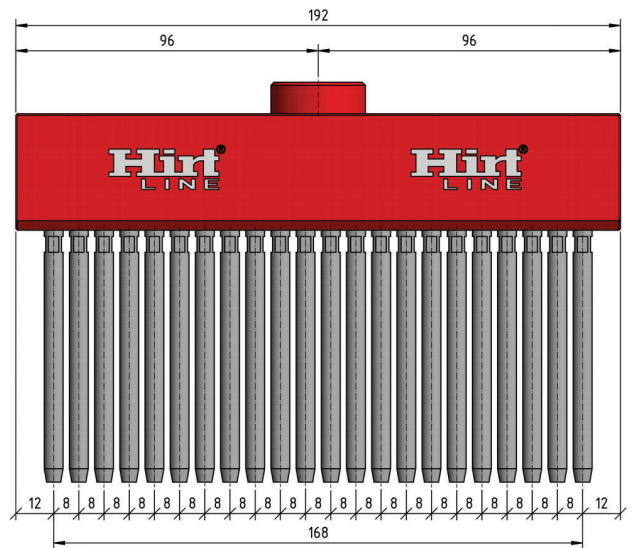
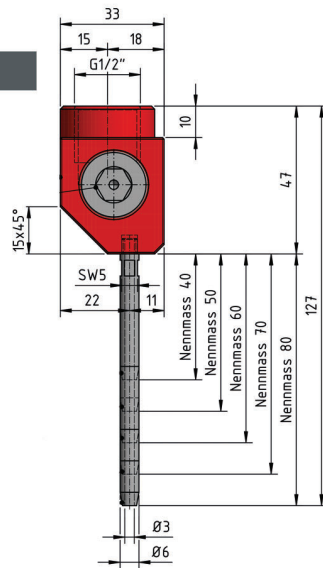
Incl. 10 pcs. screw-in nozzles  
 according to choice l= 40 - 80mm.

# NEEDLE NOZZLE 192mm

Part-No.: 2-NA-DU-192

Needle Nozzle for Hirt-Line Type2  
 Width 192 mm Base body  
 Nozzle openings Ø3,0mm  
 Connection 1/2" female thread  
 Material 1.4305 V2A / aluminium  
 Weight 672g

Incl. 22 pcs. screw-in nozzles  
 according to choice l= 40 - 80mm.



Part-No.: 2-NA-ANB-Set

Mounting set to extend as desired  
 the basic body

Consisting of fixed position,  
 Adjustment position, connector,  
 Assembly tool, closing cap.

Incl. sealing ring G1/2" and 2 pcs.  
 nozzles of your choice

**Note!**

To adapt the needle nozzles with our Hirt-Line system, you also need an adapter and a basic element.

For Hirt-Line Type2 System you need 1x 2-AD-12 + 1x 2-GE-DK, for Hirt-Line Type3 you need an additional reduction RE-3-2.